

Mainframe Base

Table 4-2. Mainframe Base

Item	Description	Part Number
1	Screws for top cover	0515-0564
2	Cover Interface	01040-41201
3	Cover Left <i>Series I</i>	01090-04135
	Cover Left <i>Series II</i>	01090-04142
4	Frame Base Left <i>Series I</i>	5041-2107
	Frame Base Left <i>Series II</i>	01090-47703
5	Screw M5×0.8 - 16lg	0515-0562
6	Cover	01090-40101
7	Screw	0515-0851
8	Screw	0515-0851
9	Cover Right <i>Series I</i>	01090-04136
	Cover Right <i>Series II</i>	01090-04144
10	Extrusion <i>Series I</i>	01090-20503
	Extrusion <i>Series II</i>	01090-20504
11	Bar	01090-03701
12	Plate Filter	01090-04118
13	Screw TGP 6-20 0.375in	0624-0045
14	Frame Base Right <i>Series I</i>	5041-2106
	Frame Base Right <i>Series II</i>	01090-47704
15	Screw TGP 6-20 0.375in	0624-0045
16	Cover Protecting	01090-04123
17	Ground Cable <i>1090M</i>	01090-61615
	Ground Cable <i>1090L</i>	01090-61620
18	Spacer	0380-0004
19	Screw	0515-1115
20	Washer	2190-0409
21	Catch Door	01090-05001
22	Angle Limit	01090-00506
23	Screw TGP 6-20 0.375in	0624-0045
24	Screw M3×0.5 - 6lg	0515-0536
25	Nut Keyboard	0535-0023
	Washer Keyboard	3050-0893
26	Spring Compression	1460-1597

Table 4-2. Mainframe Base (continued)

Item	Description	Part Number
27	Retaining Spring	0510-0015
28	Washer Shoulder	3050-0499
29	Screw M3×0.5 - 6lg	0515-0536
30	Hinge Keyboard	01090-05111
31	Rod Hinge	01090-23702
32	Screw M3×0.5 - 6lg	0515-0536
33	Hinge Keyboard	01090-05111
34	SYK-Board <i>Series I</i>	01090-66527
	Panel Keyboard <i>Series I</i>	01090-00207
	SYK-Board <i>Series II</i>	01090-66552
35	Keyboard Door <i>Series I</i>	01090-44106
	Keyboard Door <i>Series II</i>	01090-40303
36	Screw TGP 4-20 - 0.375in	0624-0347
37	Keeper	01090-02302
38	Filter Foam	3150-0463
39	Catch Magnetic	1390-0421
40	Screw TGP 6-20 0.375in	0624-0045
41	Screw TGP 6-20 0.375in	0624-0045
42	Catch Plate	01090-00512
43	Bumper	0403-0086
44	Screw M4×0.7 - 10lg	0515-0554
45	Solvent Cabinet <i>Series I</i>	01090-68706
	Solvent Cabinet <i>Series II</i>	01090-68716
46	Bumper	01090-47402

Mainframe

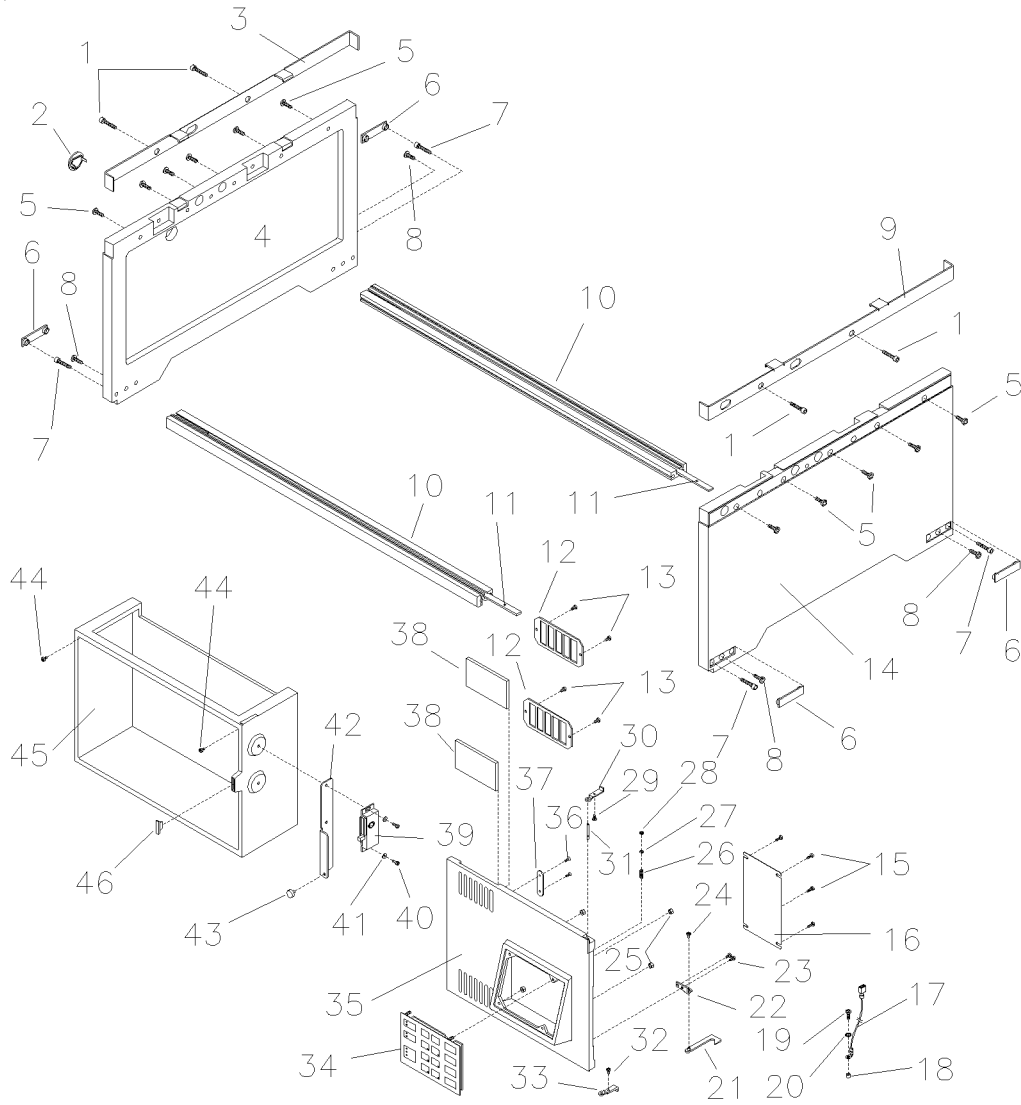


Figure 4-2. Mainframe Base